

Motion Controller

4-Quadrant PWM
with RS232 interface

For combination with:
Brushless DC-Servomotors
with option number K1155, K1855

Series MCBL 3003/06 S

		MCBL 3003 S	MCBL 3006 S	
Power supply	U _B	12 ... 30	12 ... 30	V DC
PWM switching frequency	f _{PWM}	78,12	78,12	kHz
Efficiency	η	95	95	%
Max. continuous output current ¹⁾	I _{dauer}	3	6	A
Max. peak output current	I _{max}	10	10	A
Total standby current	I _{el}	0,06	0,06	A
Speed range		5 ... 30 000	5 ... 30 000	rpm
Scanning rate	N	100	100	μs
Encoder resolution with Hall Sensors		≤ 3 000	≤ 3 000	inc./rev.
Resolution with external encoder		≤ 65 535	≤ 65 535	inc./rev.
Input/output (partially free configurable)		3	3	
Program memory:				
– memory size		3,3	3,3	kWord
– Number of instructions		ca. 1 000	ca. 1 000	instructions
Operating temperature range		0 ... + 70	0 ... + 70	°C
Storage temperature		– 25... + 85	– 25 ... + 85	°C
Housing material		without housing	aluminium, black anodized	
Weight		18	160	g

¹⁾ at 22°C ambient temperature

Connection information

Connection "TxD", "RxD":				
Interface			RS232	
Communication profile			Faulhaber - ASCII	
Max. transfer speed rate			115 200	baud
Connection "AGND":				
– analog ground			analog GND	
– digital input	external encoder		channel B	
	R _{In}		10	kΩ
	f		≤ 400	kHz
Connection "Fault":				
– digital input	R _{In}		100	kΩ
– digital output (open collector)	U		≤ U _B	V
	I		≤ 30	mA
	clear		switched to GND	
	set		high-impedance	
fault output	no error		switched to GND	
	error		high-impedance	
signal output	f		≤ 2	kHz
	resolution		1...255	inc./rev.
Connection "AnIn":				
– analog input	set speed value	U _{In}	± 10	V
– digital input	PWM set speed value	f	100 ... 2 000	Hz
	external encoder	T	50% ± 0 rpm	
			channel A	
	f		≤ 400	kHz
step frequency input	f		≤ 400	kHz
	R _{In}		5	kΩ
Connection "+24V":				
	U _B		12 ... 30	V DC
Connection "GND":				
			ground	
Connection "3. In":				
– digital input	R _{In}		22	kΩ
– electronic supply voltage ²⁾	U _B		12 ... 30	V DC

²⁾ Optional on request

Connection information

Connection "Ph A", "Ph B", "Ph C":					
Motor connection	Ph A		Phase A	brown ¹⁾	
	Ph B		Phase B	orange ¹⁾	
	Ph C		Phase C	yellow ¹⁾	
PWM switching frequency		U_{Out} f_{PWM}	$0 \dots U_B$ 78,12		V kHz
Connection "Hall A", "Hall B", "Hall C":					
Hall sensor input	Hall A		Hall sensor A	green ¹⁾	
	Hall B		Hall sensor B	blue ¹⁾	
	Hall C		Hall sensor C	grey ¹⁾	
		U_{In}	≤ 5		V
Connection "SGND":					
Signal GND			Signal ground	black ¹⁾	
Connection "+5V":					
Output voltage for external use ²⁾		U_{Out}	5	red ¹⁾	V DC
Load current		I_{Out}	≤ 60		mA

¹⁾ Color identification for brushless DC-Servomotor

²⁾ E.g. Hall sensor

D-SUB-connector information

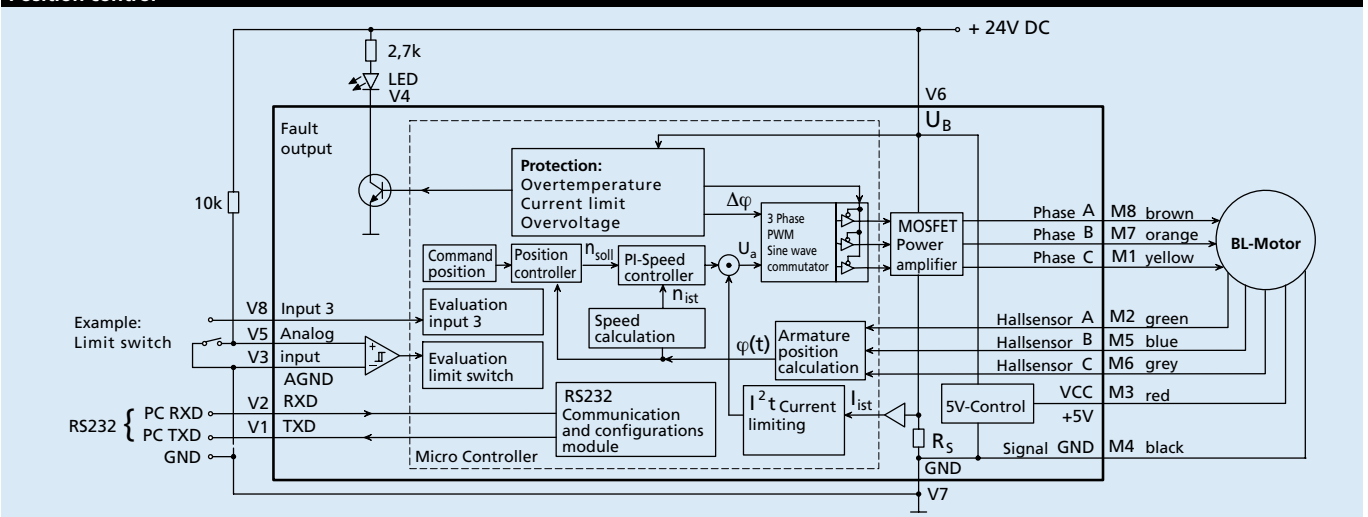
Connection D-SUB-connector:			
Pin 2	RxD		RS232 / RxD
Pin 3	TxD		RS232 / TxD
Pin 5	GND		Ground

Digital inputs general information

- PLC, default	high	$12,5 \dots U_B$	V
	low	$0 \dots 7$	V
- TTL	high	$3,5 \dots U_B$	V
	low	$0 \dots 0,5$	V

The signal level (PLC or TTL) of the digital inputs can be set over the interface (see instruction manual).

Position control



Motion Controller

General description

The MCBL 3003/06 S is designed for brushless DC-Servomotors with linear Hall sensors. Ultra-low speeds and high positioning resolutions (1/3000 revolutions) are thus possible without the need for an additional encoder. The motors have a sinusoidal current, resulting in a constant torque over the entire circumference. This means that the motors run particularly quietly, and efficiency is also increased.

Maximum performance:

- **PI speed controller** with superior performance specifications in respect of synchronous operation and minimal torque fluctuations.
- **Speed profiles** such as e.g. ramp, triangular or trapezoidal movements. More complex profiles can also be implemented.
- **Positioning** with high resolution, including **limit switches and zero referencing**.
- **Operation as torque controller** through current regulation.
- **Storage** and execution of motion programs for stand-alone positioning mode or to relieve the HOST computer.
- **Extended operating modes:**
 - Stepper motor mode
 - Gearing mode (electronic gear)
 - Analogue positioning mode (position control with analogue voltage)
 - Voltage regulator mode
 - Analogue target current presetting
 - External encoder to determine actual position

Latest technology in micro format:

- High efficiency
- Power amplifier with very high PWM frequency
- Power MOSFETs with minimal on-resistance
- Unique thermal protection device determines MOSFET silicon temperature
- High-capacity 16 bit signal processor

Versatile communication:

- **Set-point input** for speed presetting. Processes analogue and PWM signals. The input can also be used for a frequency or reference mark signal.
- **Error output** (Open Collector). Can also be programmed as a rotational direction or reference mark input.
- **Additional digital input**
- **RS232 interface** for connection to PC or control
- Operation of several drives on a single RS232 interface (Multiplex mode)

Programming made easy

An extensive ASCII command set is available for programming and operation. This can be preset from the PC, e.g. via any terminal program or via any other control computer.

Once programmed as a stepper motor, electronic gear or as speed / position controller via the analogue input, the drive can be operated independently of the RS-232 interface.

For Windows operating systems the **"FAULHABER Motion Manager"** software is available. This considerably simplifies operation and configuration and also enables graphic online analysis of the operating data.

Fields of application

The Motion Controller can be used in many different areas. Thanks to the highly flexible connection options, this device is suitable for a diverse range of applications, for example in decentralised systems of automation technology, as well as in pick-and-place machines and machine tools.

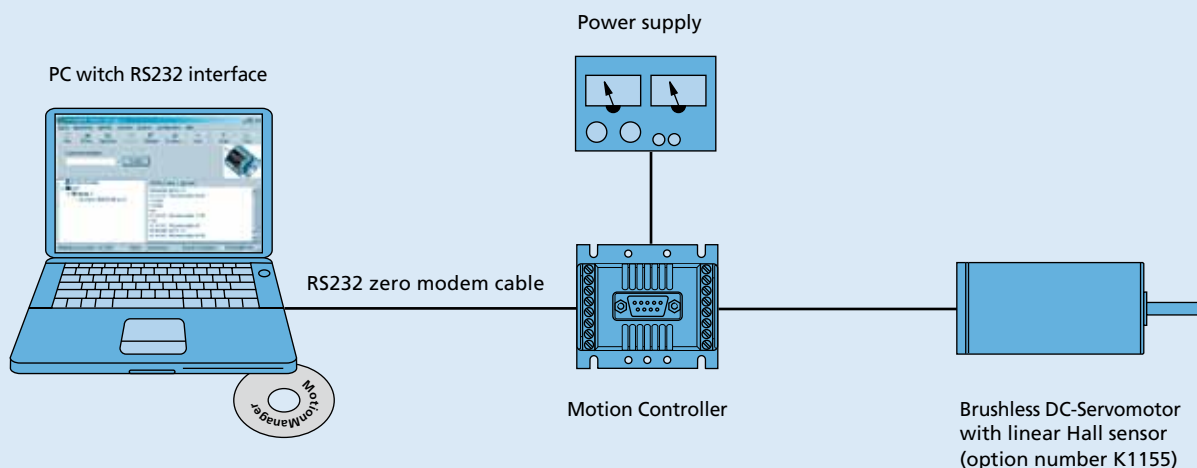
Options

- Serial null modem cable for RS232 interface
- Separate supply of motor and control electronics for safety-relevant applications is optionally available (Option no. - 3085); In this case the 3rd input is not available for digital signals.
- Special preconfiguration of modes and parameters is possible on request.
- The **"FAULHABER Motion Manager"** software is available on request or on the Internet.

Note

A detailed instruction manual for installation and operation are provided with the Motion Manager.

Connection diagram



Full product description:

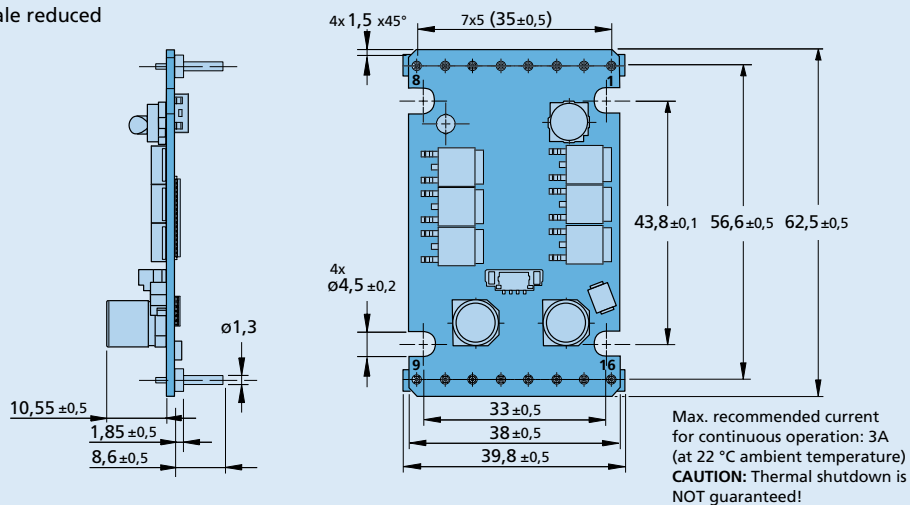
This Motion Controller is exclusively designed and tuned for the control of the listed brushless DC-Servomotors with option no. - K1155.

Option no. - K1155 indicates motors with linear Hall sensors for implementation with Motion Controller MCBL 3003/06.

0620 K ... B - K1855
 1226 S ... B - K1855
 1628 T ... B - K1155
 2036 U ... B - K1155
 2057 S ... B - K1155
 2444 S ... B - K1155
 3056 K ... B - K1155
 3564 K ... B - K1155
 4490 H ... B - K1155
 4490 H ... BS - K1155

Dimensional drawing and connection information MCBL 3003 S

Scale reduced

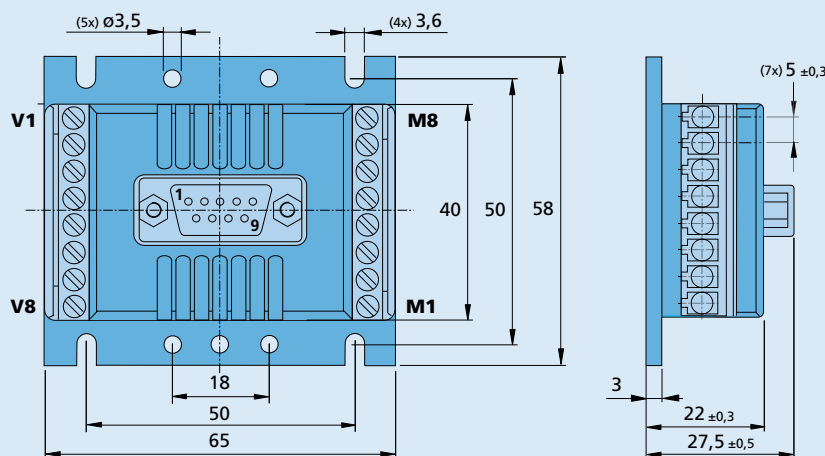


Connection

Pin	Function
1	Ph C
2	Hall A
3	+ 5V
4	SGND
5	Hall B
6	Hall C
7	Ph B
8	Ph A
9	TxD
10	RxD
11	AGND
12	Fault
13	AnIn
14	+ 24V
15	GND
16	3. In

Dimensional drawing and connection information MCBL 3006 S

Scale reduced



Motor connection

No.	Function
M1	Ph C
M2	Hall A
M3	+ 5V
M4	SGND
M5	Hall B
M6	Hall C
M7	Ph B
M8	Ph A

Supply connection

No.	Function
V1	TxD
V2	RxD
V3	AGND
V4	Fault
V5	AnIn
V6	+ 24V
V7	GND
V8	3. In