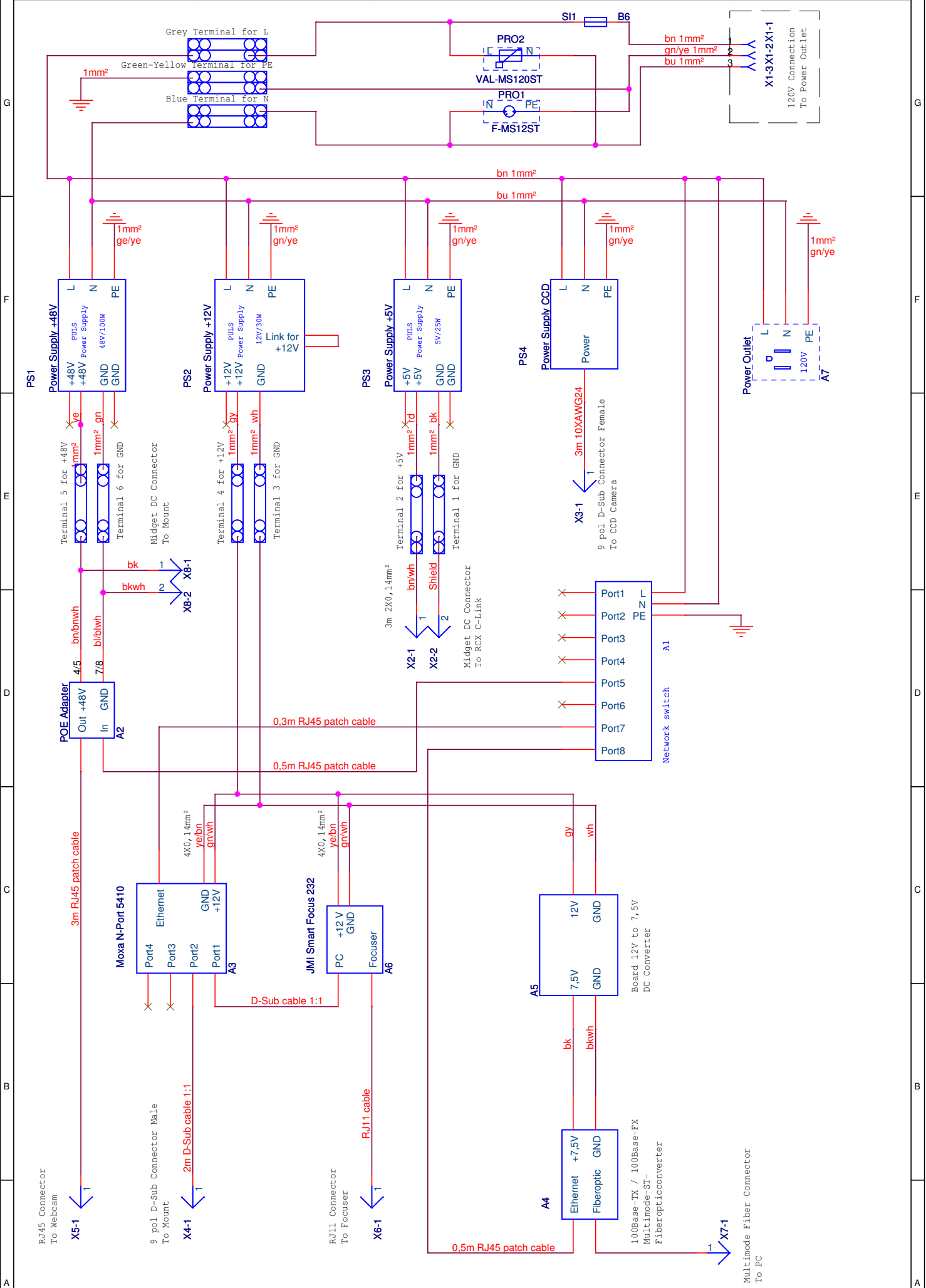


Date: Wednesday, May 07, 2008  
 Version: A 1.00  
 Name: Mohr  
 Name: Adler

# DIMM Electronics Overview

Project: DIMM  
 Part:  
 File:

MPI für Astronomie  
 Königstuhl 17  
 D-69117 Heidelberg  
 http://www.mpia.de

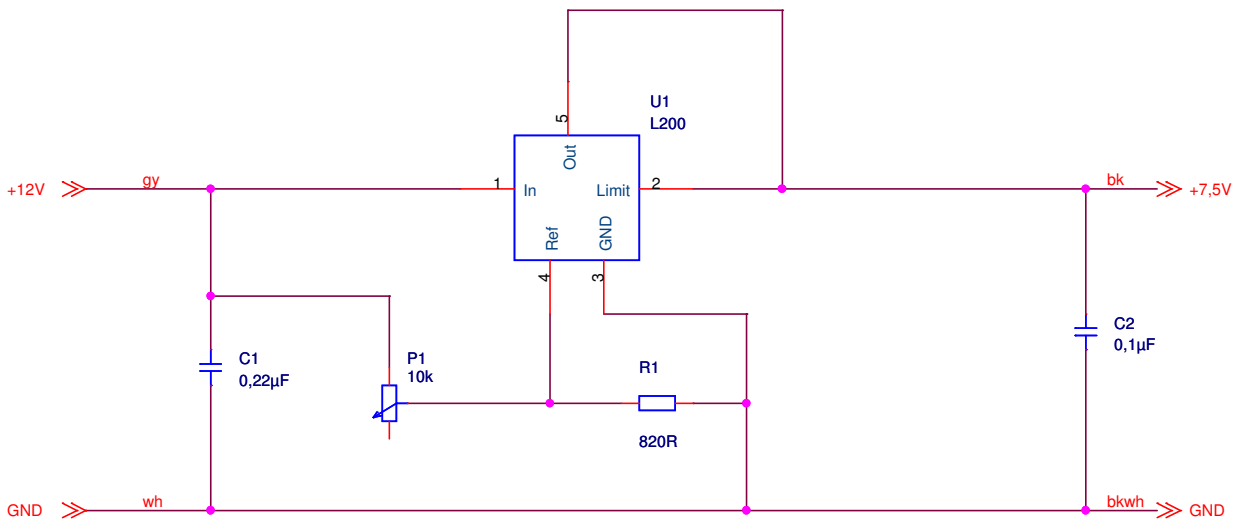


**Date:** Wendsday, May 07, 2008  
**Version:** A 1.00  
**Name:** Mohr  
**Name:** Adler

# DIMM Electronics

**Project:** DIMM  
**Part:**  
**File:**

MPI für Astronomie  
 Königstuhl 17  
 D-69117 Heidelberg  
 http://www.mpia.de



Date: Tuesday, May 13, 2008

Version: A 1.00

Name: Mohr

Name: Adler

## Board 12V to 7,5V DC Converter

Project: DIMM

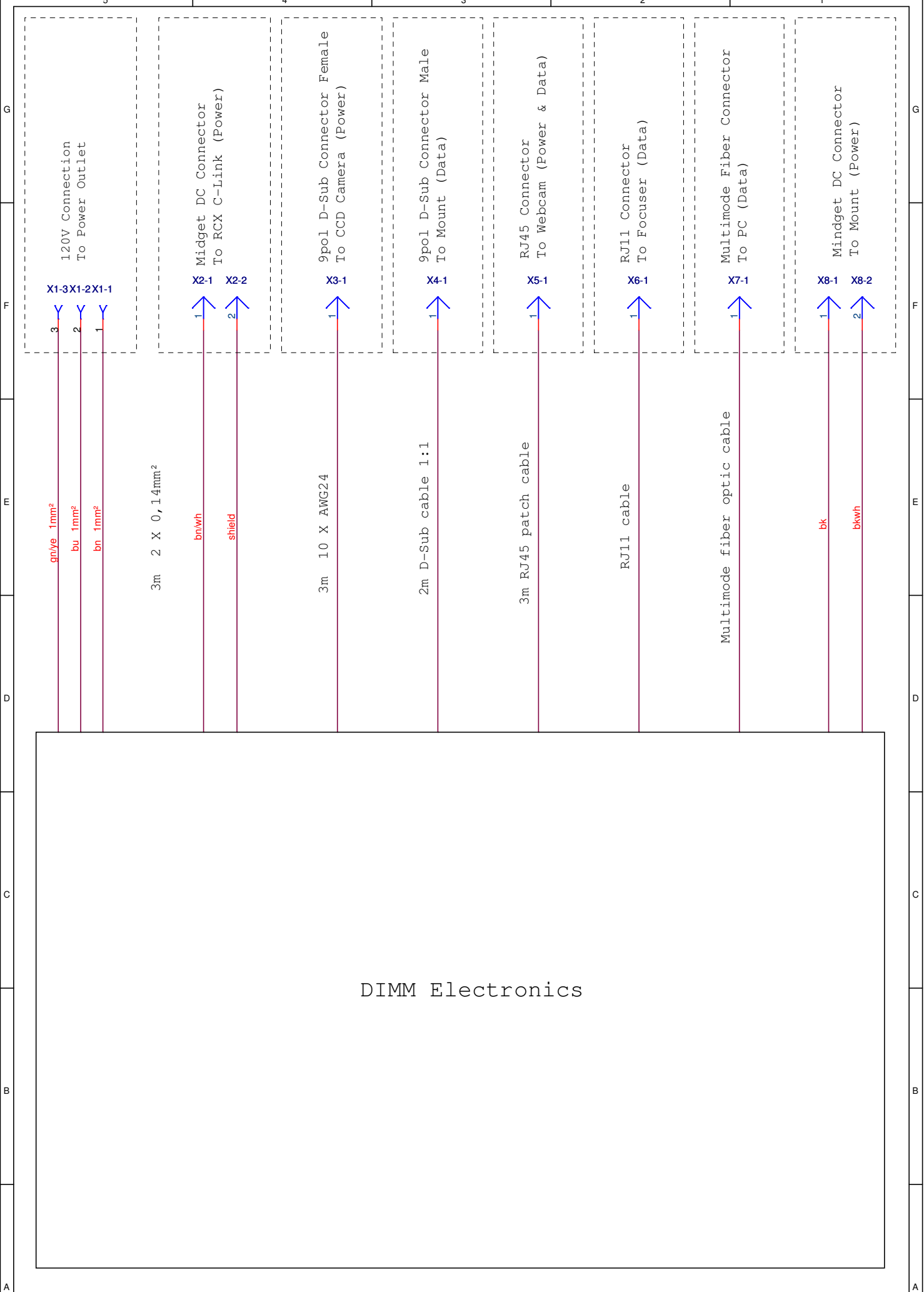
Part:

File:

MPI für Astronomie  
Königstuhl 17  
D-69117 Heidelberg  
<http://www.mpi.a.de>

Page 3 of 4

# DIMM Electronics



<b>Date:</b> Tuesday, May 13, 2008	<h2 style="margin: 0;">Cable Overview</h2>	<b>Project:</b> DIMM	<b>MPI für Astronomie</b> Königstuhl 17 D-69117 Heidelberg <a href="http://www.mpl.de">http://www.mpl.de</a>
<b>Version:</b> A 1.00		<b>Part:</b>	
<b>Name:</b> Mohr		<b>File:</b>	<b>Page 4 of 4</b>
<b>Name:</b> Adler			