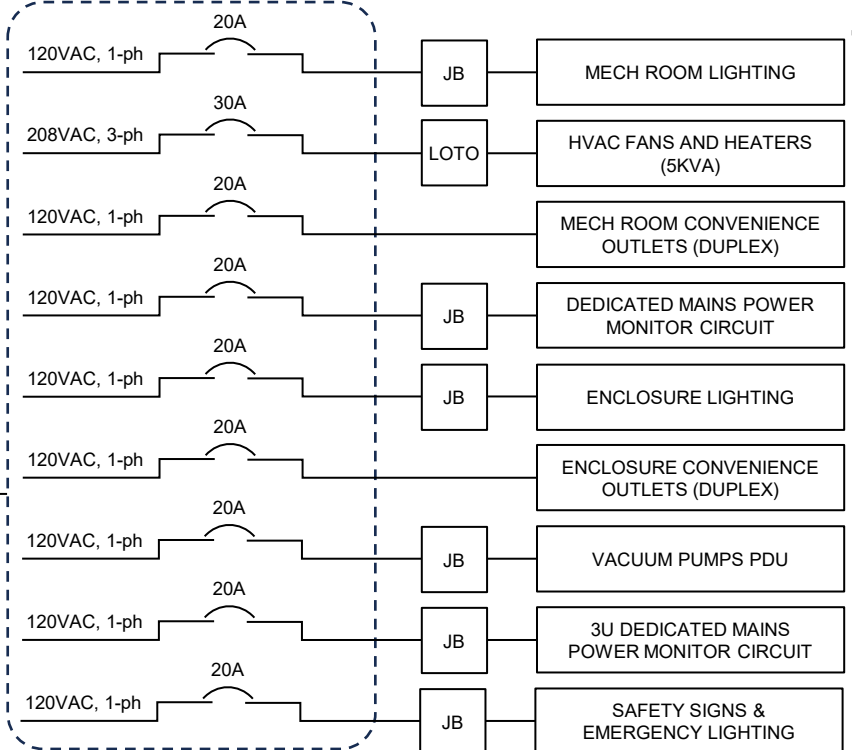


**ILOCATER 3L  
ELECTRICAL DIAGRAM**  
 REV: 9  
 AUTHOR: J. CRASS  
 DATE: 21 FEB 2024

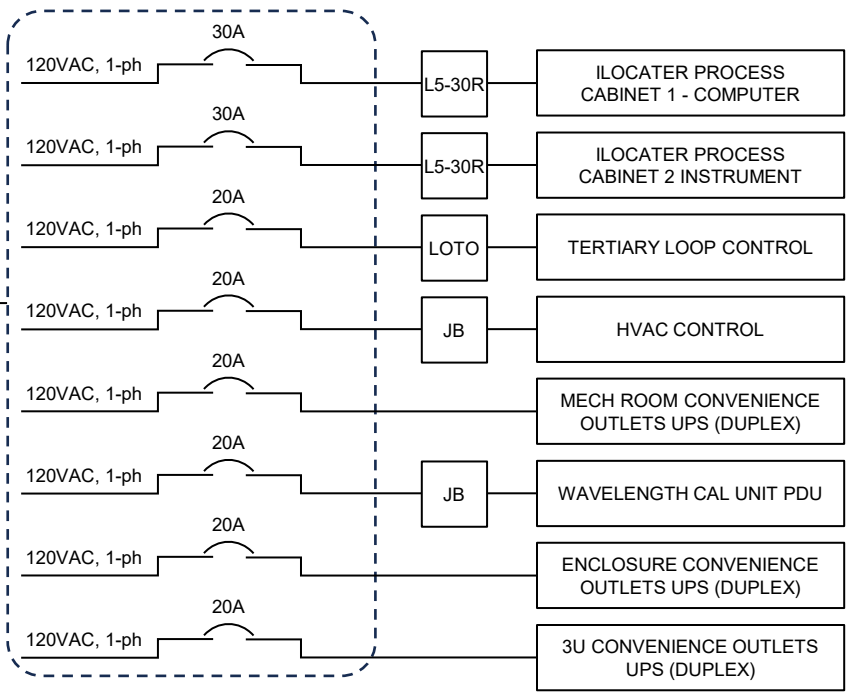
**JB** JUNCTION BOX  
**LOTO** LOCK-OUT/TAG-OUT DISCONNECT  
**L5-30R** NEMA L5-30R RECEPTACLE

**3L DISTRIBUTION PANELS**

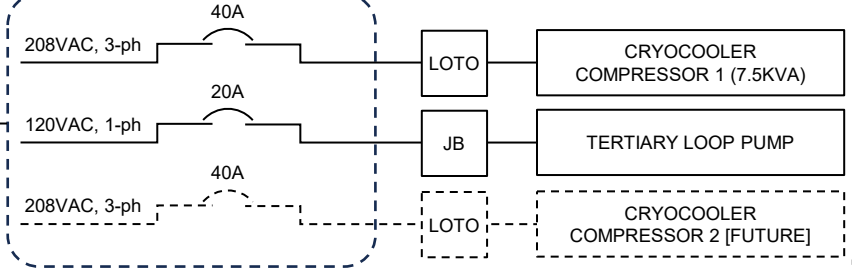
**PANEL 1 (NON-UPS): 150A**



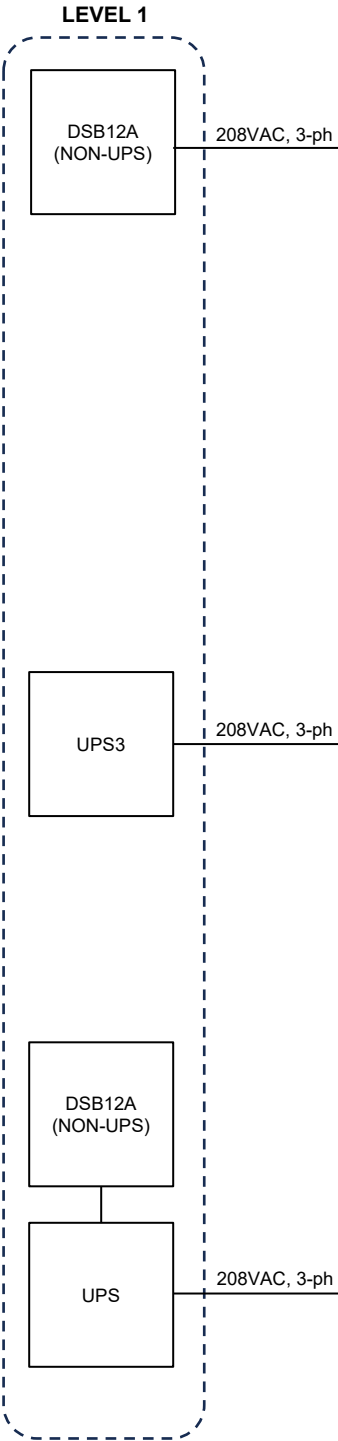
**PANEL 2 (BUILDING-UPS): 100A**

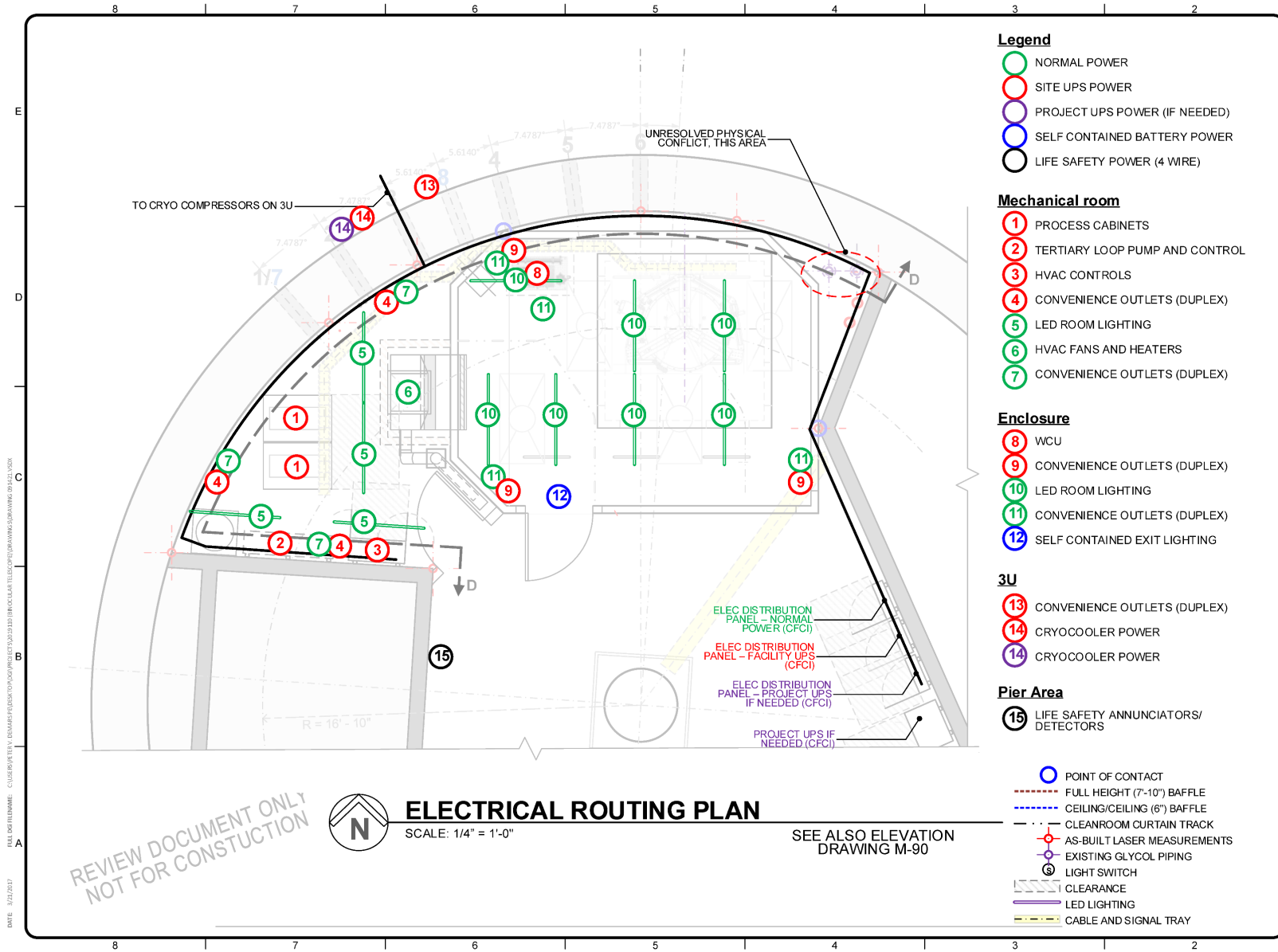


**PANEL 3 (MECHANICAL-UPS): 100A**



LOADS (A)			Location (M-94)
Typical	Operational	Max	
0	2		5
?	?	?	6
0	0	10	7
0	0	0	Near 1
0	2		10
1	1	10	11
0	6	18	Near 8
0	0	0	13 or 14
0.5	0.5	1	12+
4	4	13.4	1
		14	1
?	?	?	2
3	3	5	3
0	1	10	4
		5	8
0	1	10	9
0.5	0.5	10	13
6	6	22	14
?	?	?	2
(0)	(6)	(22)	(14)





- Legend**
- NORMAL POWER
  - SITE UPS POWER
  - PROJECT UPS POWER (IF NEEDED)
  - SELF CONTAINED BATTERY POWER
  - LIFE SAFETY POWER (4 WIRE)

- Mechanical room**
- ① PROCESS CABINETS
  - ② TERTIARY LOOP PUMP AND CONTROL
  - ③ HVAC CONTROLS
  - ④ CONVENIENCE OUTLETS (DUPLEX)
  - ⑤ LED ROOM LIGHTING
  - ⑥ HVAC FANS AND HEATERS
  - ⑦ CONVENIENCE OUTLETS (DUPLEX)

- Enclosure**
- ⑧ WCU
  - ⑨ CONVENIENCE OUTLETS (DUPLEX)
  - ⑩ LED ROOM LIGHTING
  - ⑪ CONVENIENCE OUTLETS (DUPLEX)
  - ⑫ SELF CONTAINED EXIT LIGHTING

- 3U**
- ⑬ CONVENIENCE OUTLETS (DUPLEX)
  - ⑭ CRYOCOOLER POWER
  - ⑮ CRYOCOOLER POWER

- Pier Area**
- ⑮ LIFE SAFETY ANNUCIATORS/ DETECTORS

- POINT OF CONTACT
- - - FULL HEIGHT (7'-10") BAFFLE
- - - CEILING/CEILING (6") BAFFLE
- - - CLEANROOM CURTAIN TRACK
- AS-BUILT LASER MEASUREMENTS
- EXISTING GLYCOL PIPING
- LIGHT SWITCH
- CLEARANCE
- LED LIGHTING
- CABLE AND SIGNAL TRAY

CLIENT	LARGE BINOCULAR TELESCOPE CORP.			
	ARIZONA			
PROJECT NAME	i-LOCATER - HVAC SUPPORT SYSTEMS			
	SCALE AS INDICATED			
DESIGNED	DRAWN	CHECKED	DATE	DES. PKG.
ANSI B	P/VDIM	P/VDIM	08/06/19	2019110

NO.	DATE	DESCRIPTION	REV.	CHK.	P/VDIM.
1	10/23/19	ISSUE FOR R.O.M.			

Professional Engineer  
 CERTIFICATION  
 PRELIMINARY  
 NOT FOR CONSTRUCTION  
 ARIZONA, U.S.A.

DATE: 9/20/23  
 EXPIRES: 9/20/23

DRAWING No.	REV.
M-94	2

FILE OR FILENAME: C:\BENTLEY\BENTLEY\PROJECTS\20191101\BINOCULAR TELESCOPE\DRAWINGS\DRAWING M-94.rvt  
 DATE: 9/21/2017