

Minutes of SHARK-NIR/LBT Planning Meeting

June 20, 2022

(version 2)

Attendees: Danielle, Mark, Christian, Joe, John, Luca, Manny, Pat, Dino, Maria, Elena, Jacopo, David, Al, Davide R., James, Simone, Matthieu

1. Shipping Update
 - a. Currently at CDG.
 - b. Flight to U.S. should take place tomorrow, Tuesday.
 - c. On track to clear customs and be at base camp as early as Friday the 24th .
2. Who, when, where
 - a. 6-7 persons at the summit 27 June - July 12.
 - b. 10 persons total with 3-4 changing mid-way (around July 4).
 - c. Some team members may stay in Safford on June 26-27 if the boxes are still at base camp.
 - d. Flights arrive in Phoenix.
 - e. Team is renting 2 vehicles for the drive to Mt. Graham, then a third vehicle for the second group arriving approx. July 4.
 - f. Names and specific dates are given in email from Jacopo and repeated here:
 - Luca Marafatto: June 26 - July 12
 - Davide Ricci: June 26 - July 12
 - Maria Bergomi: June 26 - July 3
 - Marco Dima: June 26 - July 3
 - Jacopo Farinato: June 27 - July 12
 - Simone Di Filippo: June 27 - July 3
 - Elena Carolo: July 4 - July 12
 - Daniele Vassallo: July 4 - July 12
 - Gabriele Umbriaco: July 4 - July 12
 - Davide Greggio: July 4 - July 12
 - g. Daniele, Davide, and a few others will visit Tucson between July 13 and 16 to work with LBT staff on future plans for integrating SHARK with the LBT infrastructure.
3. Receiving the boxes
 - a. Brian Waggoner will receive the boxes and transport them to the summit using the flatbed truck.
 - b. Mark will organize additional support if needed due to bad weather or some other unforeseen circumstance.
 - c. There remains the possibility to use the Sprinter van since a smoother ride could increase the probability that the alignment is retained, but this is not required.
 - d. The current plan is to use the flatbed as originally decided.
4. Science Camera arrival
 - a. The science camera arrived at Steward last Friday, the 17th.
 - b. All the tilt sensors were OK; none were tripped.
 - c. The camera was unpacked and tested OK, today, June 20th.

- d. Manny will work with Cindy to reserve the Sprinter van to transport the science camera to the summit this week or next.
- 5. Covid
 - a. Wearing a mask is recommended when working closer than 6 feet.
 - b. N95 style masks are preferred.
 - c. Don't go to the summit if you have symptoms.
 - d. Masks and self-tests are available on the summit.
- 6. Unpacking in the Hi-Bay:
 - a. Should take place approx. Tuesday the 28th.
 - b. Some LBT support required.
 - c. Craning operation as per this figure from SHARK-NIR-INAFP-DES-006¹

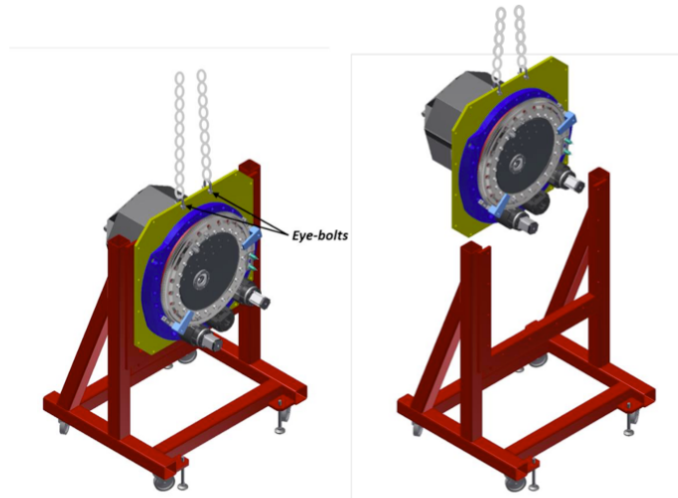
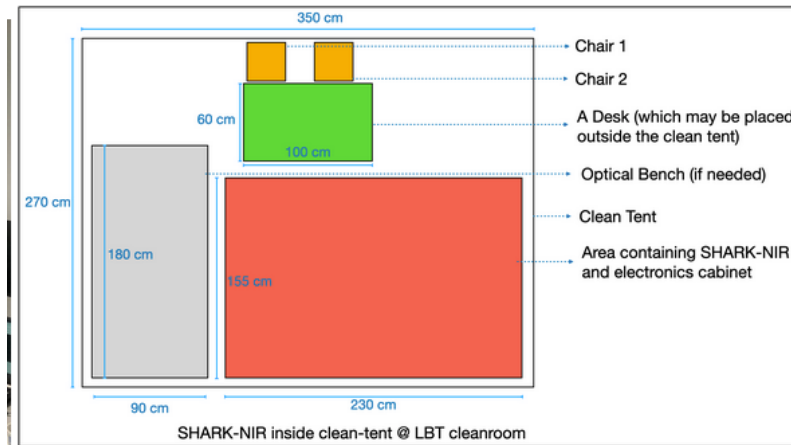


Figure 8: Removal of SHARK-NIR optical bench from the laboratory & parking handling. The yellow plate with 2 eye-bolts is the interface for the crane.

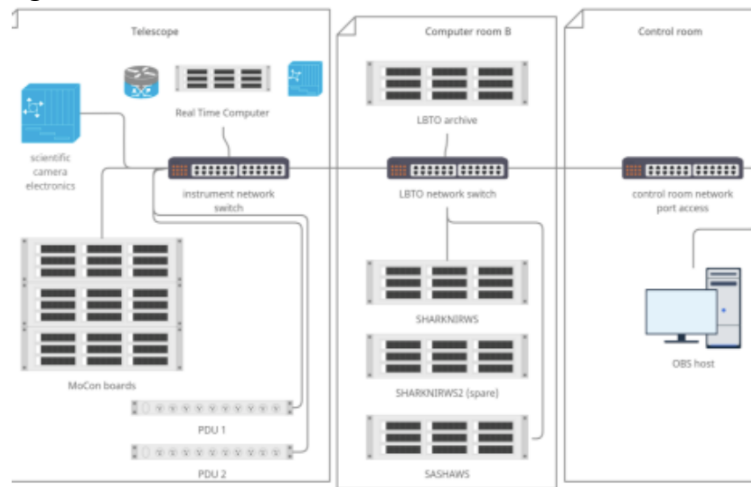
- 7. Clean room readiness
 - a. Clean tent area layout is as per this figure from Trac:



- b. Tent area has been cleared of AdSec equipment.

¹ Handling equipment design description

- c. Available power (as per James' email): 20A, 115VAC UPS backed power plus additional power strips.
 - d. Additional shoe covers, KimWipes, masks, and nitrile gloves have been ordered.
 - e. The Newport optical bench and spare rack for mounting electronics have been moved into the clean room.
 - f. We need to clean the lifting table sometime before it gets used in the clean room (approx. June 28).
8. Computers and Networks
- a. Space and power for three computers is available in computer room B as per this figure from SHARK-INAFP-REQ-001²



- b. We still need to organize use of an existing fiber run from the clean room to computer room B for the science camera read-out.³
 - c. We also need to create a SHARK-NIR login account on obsX machines so that members of the team can remotely login to their machines from the control room.
9. Other
- a. Fourier/waffle mode
 - i. The report for the May 18 testing mode is nearly complete.
 - ii. Information from that report is required for implementing the command interface via the IIF.
 - b. Internal NCPA correction
 - i. We will arrange a time during the visit to discuss any LBT AO software changes that might be needed to support internal NCPA correction (but likely there are none since all correction is planned to take place internal to SHARK).

² SHARK-NIR Requirements to the LBT

³ As a fallback the science camera computer could be temporarily situated in the clean room instead of computer room B.