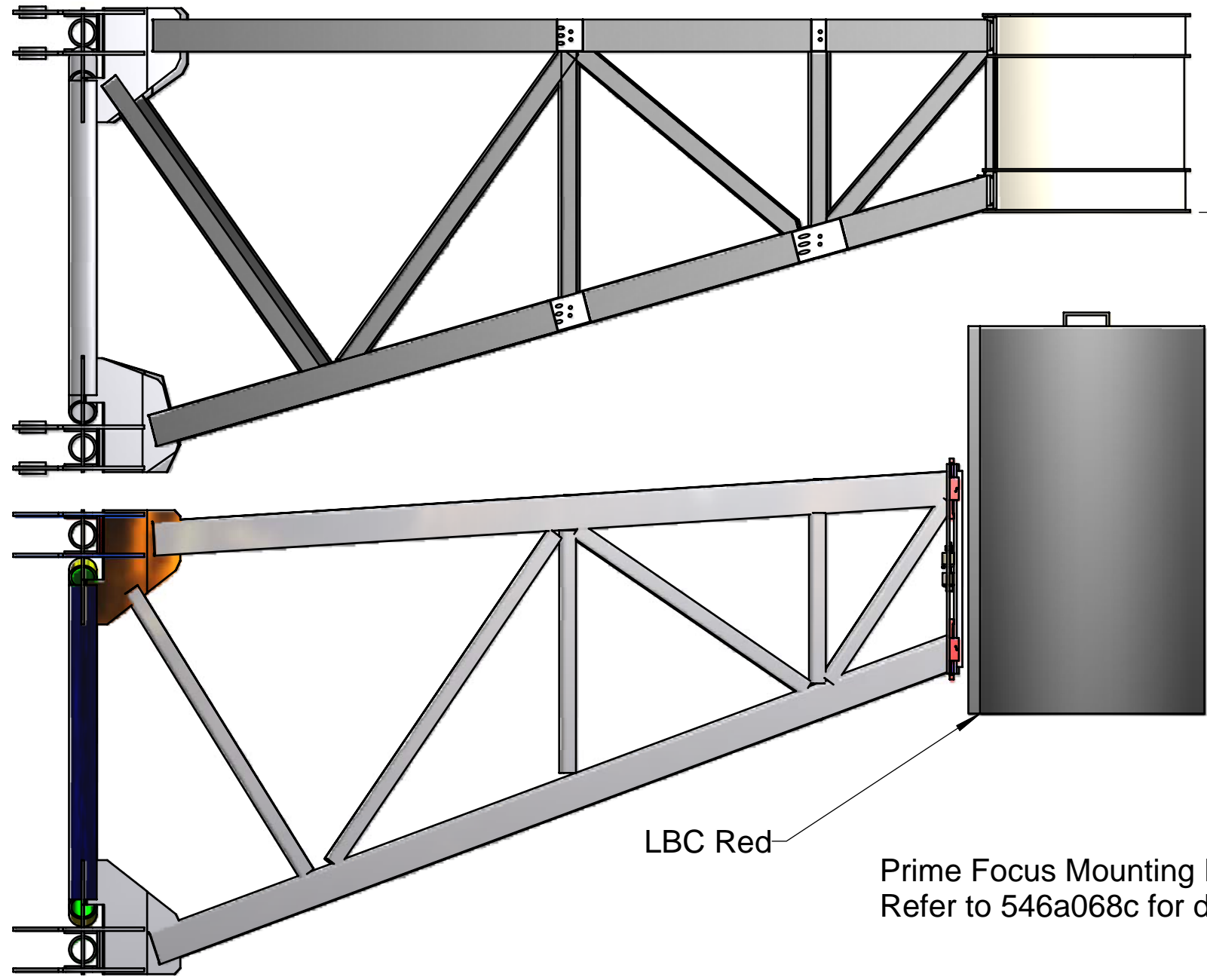


REVISION HISTORY				
REV	DESCRIPTION	DATE	AUTH	APPROVED
A	Released	3/13/2007	Value	J. Howard

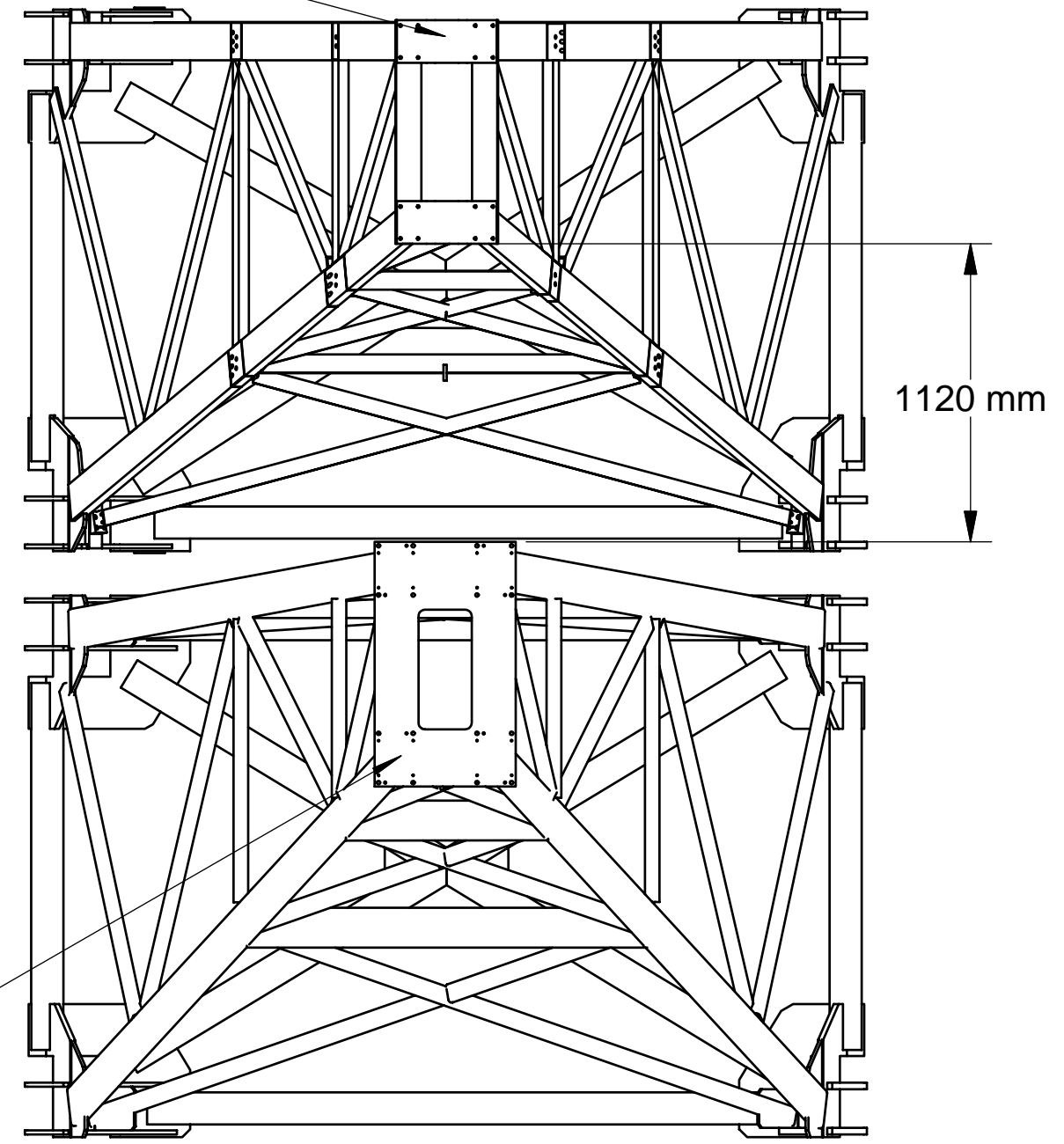
Interface Plate 541x065c



500 mm

LBC Red

Prime Focus Mounting Plate
Refer to 546a068c for dimensions



1120 mm

DO NOT SCALE DRAWING		THIS DRAWING CREATED IN:		DESIGNED BY:	DATE:	LARGE BINOCULAR TELESCOPE
INTERPRET DIMENSIONS AND TOLERANCES IN ACCORDANCE WITH ASME Y14.5M-94		ACAD	MECH	IDEAS	INV	
TOLERANCES UNLESS OTHERWISE SPECIFIED				J. Howard	3/13/2007	
LINEAR				J. Howard	3/13/2007	
X = ±				CHECKED BY:	DATE:	
X.X = ±				CHECKED BY:	DATE:	
X.XX = ±				ACCEPT BY:	DATE:	
DIAMETRICAL: SEE SPEC S-002				RELEASE BY:	DATE:	
DIMENSIONS ARE IN MM / DIMENSIONS IN [] ARE IN INCHES				SCALE:	N.T.S.	
MATERIAL:		NEXT ASSY	USED ON	UNITS:	mm	
FINISH:		ASSEMBLY APPLICATION		Sheet 1 of 1		
THIRD ANGLE PROJECTION				PLOT SIZE	B	
				CAN NO:		
				REVISION:	A	