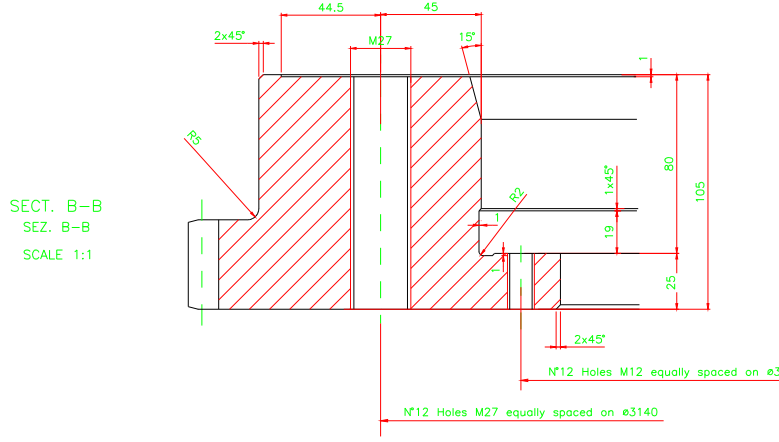
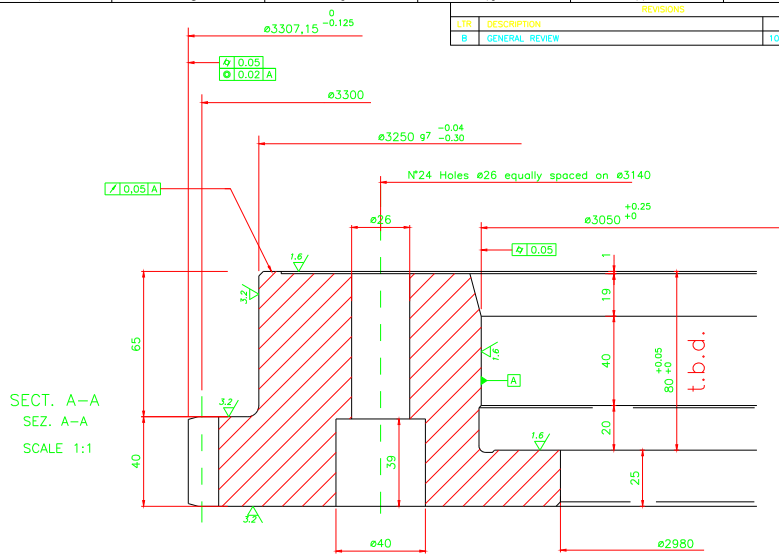


STRAIGHT TEETH TABLE	
OUTSIDE DIAMETER	3307.15 mm
PRIMITIVE DIAMETER	3300 mm
MODULE	6 mm
TEETH NUMBER	550
REFERENCE PROFILE	DIN 3972
QUALITY	DIN 3964 b 5
TOTAL EVOLVENT ACCURACY (Ft)	0.008
SINGLE PITCH ACCURACY (fp)	0.011
CUMULATIVE PITCH ACCURACY (Fp)	0.032
MATERIAL	39NCD3 H&T
ROUGHNESS	0.8
PRESSURE ANGLE	20°
HARDNESS	> 300 HB

REVISIONS			
LT/R	DESCRIPTION	DATE	APPROVED
B	GENERAL REVIEW	10-07-99	AZ-GPM



COMMESSA/JOB		REFERENCE DRAWINGS.....674x000		REFERENCE DRAWINGS.....674x001		REFERENCE PART LIST.....674x002	
F1 0127 P1		DESIGN BY: AZANON		DATE: 06.07.98		LARGE BINOCULAR TELESCOPE	
UNLESS OTHERWISE SPECIFIED		DRAWN BY: ANSALDO		DATE: 09-06-99		TELESCOPE AUXILIARIES	
TOLERANCES ACCORDING TO:		INT. REV. BY: ANSALDO		DATE: 10-07-99		INSTRUMENT ROTATORS	
ISO 2768/1-m		CHECK BY: MAGGIORI		DATE: 09-07-99		GREGORIAN ROTATOR	
ISO 2768/2-k		DESIGN BY: AZANON		DATE: 09-10-99		RIM GEAR WHEEL	
MATERIAL:		RELEASE BY: EP-MARCHIORI		DATE: 09-10-99		SCALE	
FINISH/TREATMENT:		LOCAL DWG. FILE		SCALE		DAN NO.	
XXX		1/1		1/10		674x004	
WORKING SIZE		FORM (DWG) SCALED BY:		DWFN PLOT SIZE:		REV	
SCALE 1:1		mm.		1/1 - 1/10		B	