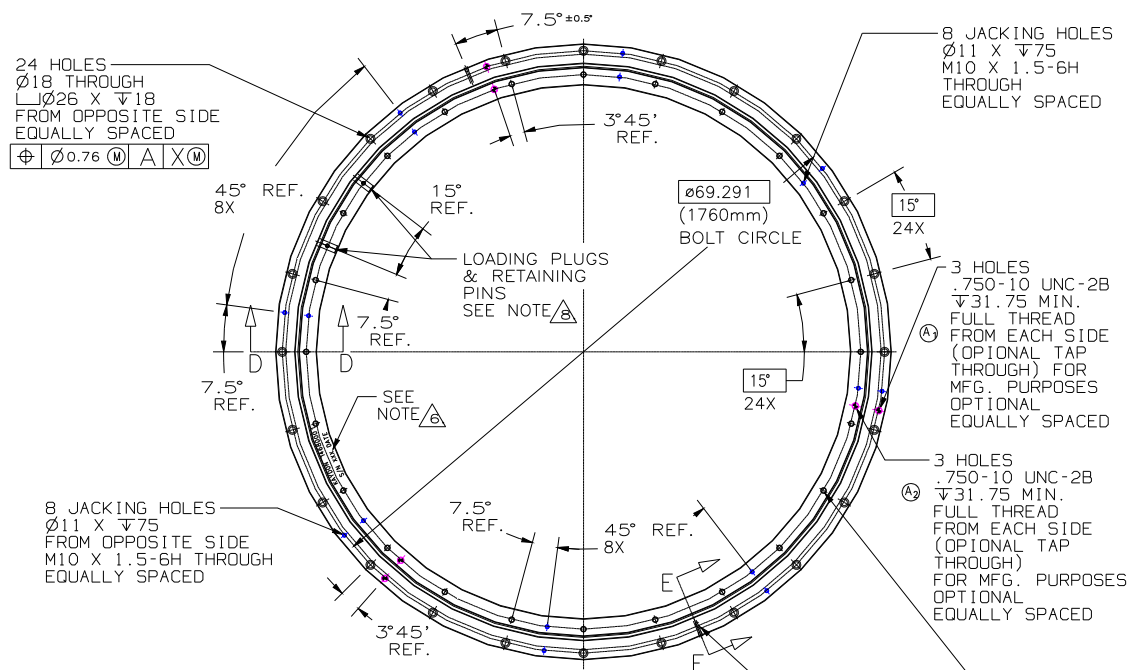
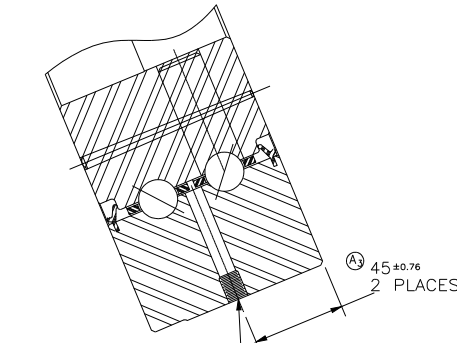
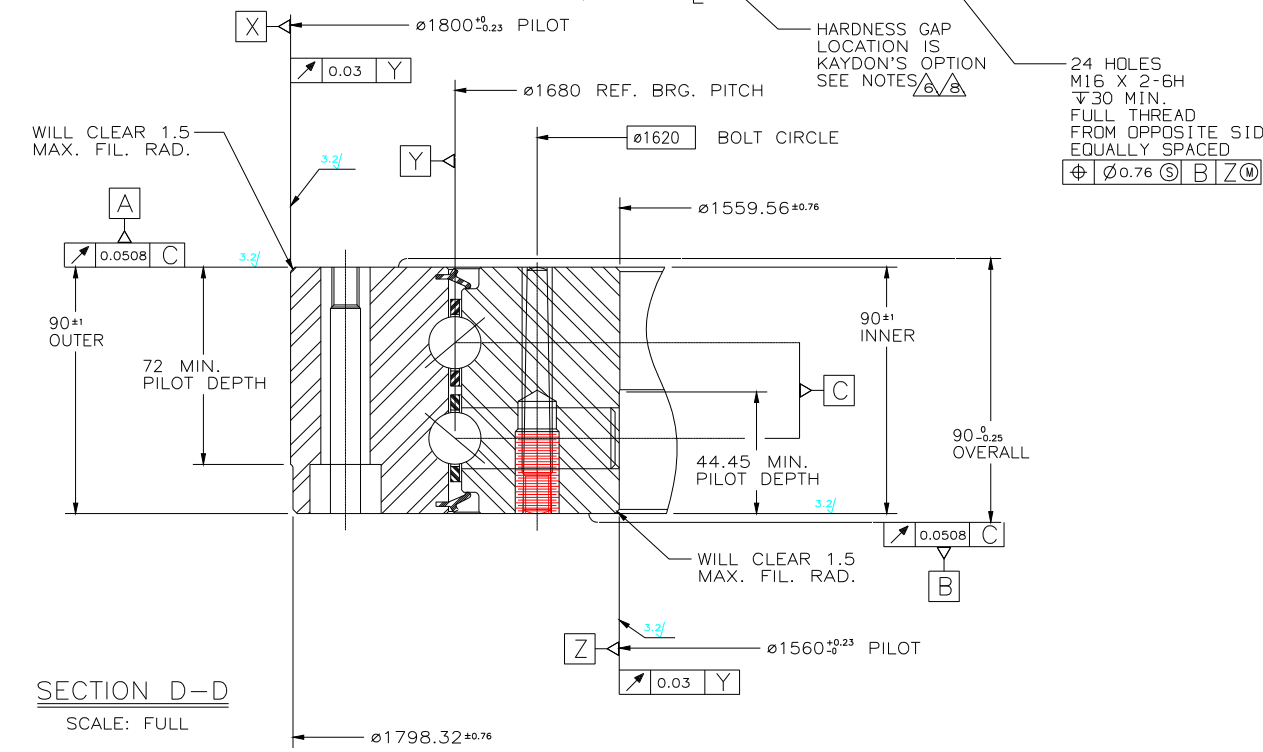


REVISIONS			
REV.	DESCRIPTION	DATE	BY/CHK.
1-2	WAS THREAD THROUGH DIM. WAS FROM OPP.	09-14-99	CHZ/LML
A	FACE NOTE 2 WAS STARTING TORQUE REQUIREMENT	09-14-99	SDH



- (1.) 0.0254 TO 0.0762 AXIAL PRELOAD.
- (2.)
- (3.) SEALS ARE DESIGNED FOR LIGHT TO ZERO CONTACT AND ARE HELD IN PLACE BY MECHANICAL RETENTION ONLY (NO GLUE PERMITTED).
- (4.) BEARING IS FILLED FULL WITH MOBILITH SHC 220 GREASE.
- (5.) APPROXIMATE BEARING WEIGHT - 399 kg.
- (6.) MARKING -
ON TOP FACE OF INNER RACE -
"KAYDON 14680001", SERIAL NO., AND DATE CODE
ON BOTTOM FACE OF OUTER RACE -
"G" AT HARDNESS GAP
- (7.) MATERIAL -
RACES-----AISI 4150H STEEL, CORE 248-302 BHN
EXCEPT PATHS HRC 58 MIN. (SURFACE)
BALLS-----52100 STEEL
SEALS-----BUNA-N RUBBER
SEPARATORS---ACETAL STRIPS WITH CIRCULAR POCKETS
- (8.) WHERE POSSIBLE LOCATE LOADING PLUGS AND HARDNESS GAP AT 90° TO ZONE OF MAXIMUM MOMENT LOAD.



SECTION E-E
SCALE: 3/4

ALL DIMENSIONS ARE MILLIMETERS.

UNLESS OTHERWISE SPECIFIED:
DIMENSIONS ARE IN INCHES AND
APPLY AFTER SURFACE TREATMENT
AND AT 65°F
INTERPRET DIM. AND TOL. PER
ASME Y14.5M - 1994 EXCEPT RINGS
SHOWN ARE CONSIDERED "NON-RIGID"
PARTS. SIZES SPECIFIED ARE
"AVERAGE DIAMETERS" UNLESS NOTED
OTHERWISE
DO NOT SCALE DRAWING

TOLERANCES ARE AS FOLLOWS:
XX ± ---
XXX ± ---
ANGLES ± ---

THIRD ANGLE PROJECTION	DRAWN CHZ 06-18-99	SIZE D	DWG. NO.
	CHECK LML 07-01-99	SCALE: 1/8	14680001
	APPD. SDH 07-01-99	CAD NO. 1468001S	SHEET 1 OF 1

CONFIDENTIALITY STATEMENT AND WARRANTY DISCLAIMER

KAYDON CUSTOM BEARINGS
MUSKEGON, MICHIGAN USA

TITLE
TWO ROW ANGULAR CONTACT BALL RADIAL BEARING

SECTION D-D
SCALE: FULL

EUROPEAN INDUSTRIAL S.p.A. INTERNATIONAL

LARGE BINOCULAR TELESCOPE

DESIGN BY: DATE: 08-18-99
DRAWN BY: DATE: 08-18-99
LST REV BY: DATE: 07-01-99
CHECK BY: DATE: 07-01-99
ACCEPT BY: DATE:
RELEASE BY: DATE:

LB Project Office/USA
Steward Observatory, University of Arizona
Tucson, AZ 85721 USA
Ph. 1 520 621-1529 Fax. 1 520 621-9843

LB Project Office/Mex
Observatorio Astronómico de Arizón
Large Enfozo Farm, S. 50125 Fresno, Tlax.
Ph. 52 95 2752291 Fax. 52 95 2752292

Telescope Auxiliaries
Instrument Rotators
Nasmyth rotator
Nasmyth rotator bearing
Two row angular contact ball radial bearing

SCALE: LOCAL DWG. FILE: CAN NO:
UNITS: mm FORM (D/A1) SCALED BY: 1:1 PREFER PLOT SIZE: D/A1 PEN OR A/A LASER
REV: 671x000 B