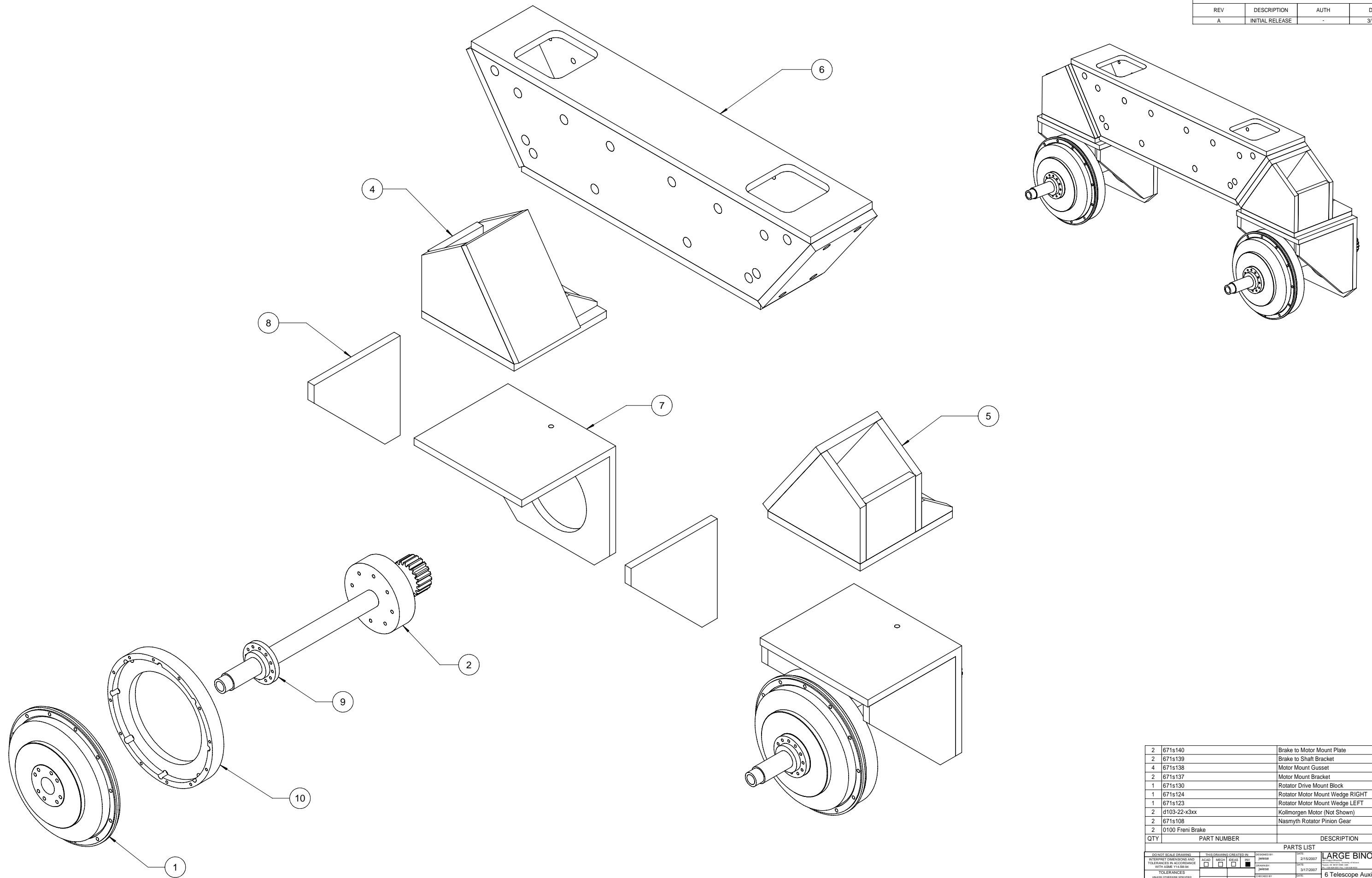


REVISION HISTORY				
REV	DESCRIPTION	AUTH	DATE	APPROVED
A	INITIAL RELEASE	-	3/16/07	R. MEEKS



QTY	PART NUMBER	DESCRIPTION	VENDOR	ITEM
2	671s140	Brake to Motor Mount Plate		10
2	671s139	Brake to Shaft Bracket		9
4	671s138	Motor Mount Gusset		8
2	671s137	Motor Mount Bracket		7
1	671s130	Rotator Drive Mount Block		6
1	671s124	Rotator Motor Mount Wedge RIGHT		5
1	671s123	Rotator Motor Mount Wedge LEFT		4
2	d103-22-x3xx	Kollmorgen Motor (Not Shown)		3
2	671s108	Nasmyth Rotator Pinion Gear		2
2	0100 Freni Brake			1

PARTS LIST				
QTY	PART NUMBER	DESCRIPTION	VENDOR	ITEM
2	671s140	Brake to Motor Mount Plate		10
2	671s139	Brake to Shaft Bracket		9
4	671s138	Motor Mount Gusset		8
2	671s137	Motor Mount Bracket		7
1	671s130	Rotator Drive Mount Block		6
1	671s124	Rotator Motor Mount Wedge RIGHT		5
1	671s123	Rotator Motor Mount Wedge LEFT		4
2	d103-22-x3xx	Kollmorgen Motor (Not Shown)		3
2	671s108	Nasmyth Rotator Pinion Gear		2
2	0100 Freni Brake			1

DO NOT SCALE DRAWINGS
 INTERPRET DIMENSIONS AND TOLERANCES IN ACCORDANCE WITH ASME Y14.5M-04

THIS DRAWING CREATED BY: jwise DATE: 2/15/2007
 CHECKED BY: jwise DATE: 3/17/2007
 RELEASE BY: DATE:

LARGE BINOCULAR TELESCOPE
 6 Telescope Auxiliaries
 67 Instrument Rotators
 671 Nasmyth Rotator
 Nasmyth Rotator Motor Assembly

MATERIAL: NONE
 FINISH: NONE
 ASSEMBLY APPLICATION: mm

SHEET 1 OF 1
 SCALE: N.T.S.
 PART NO: D
 CDR NO: 671s122
 REVISION: A