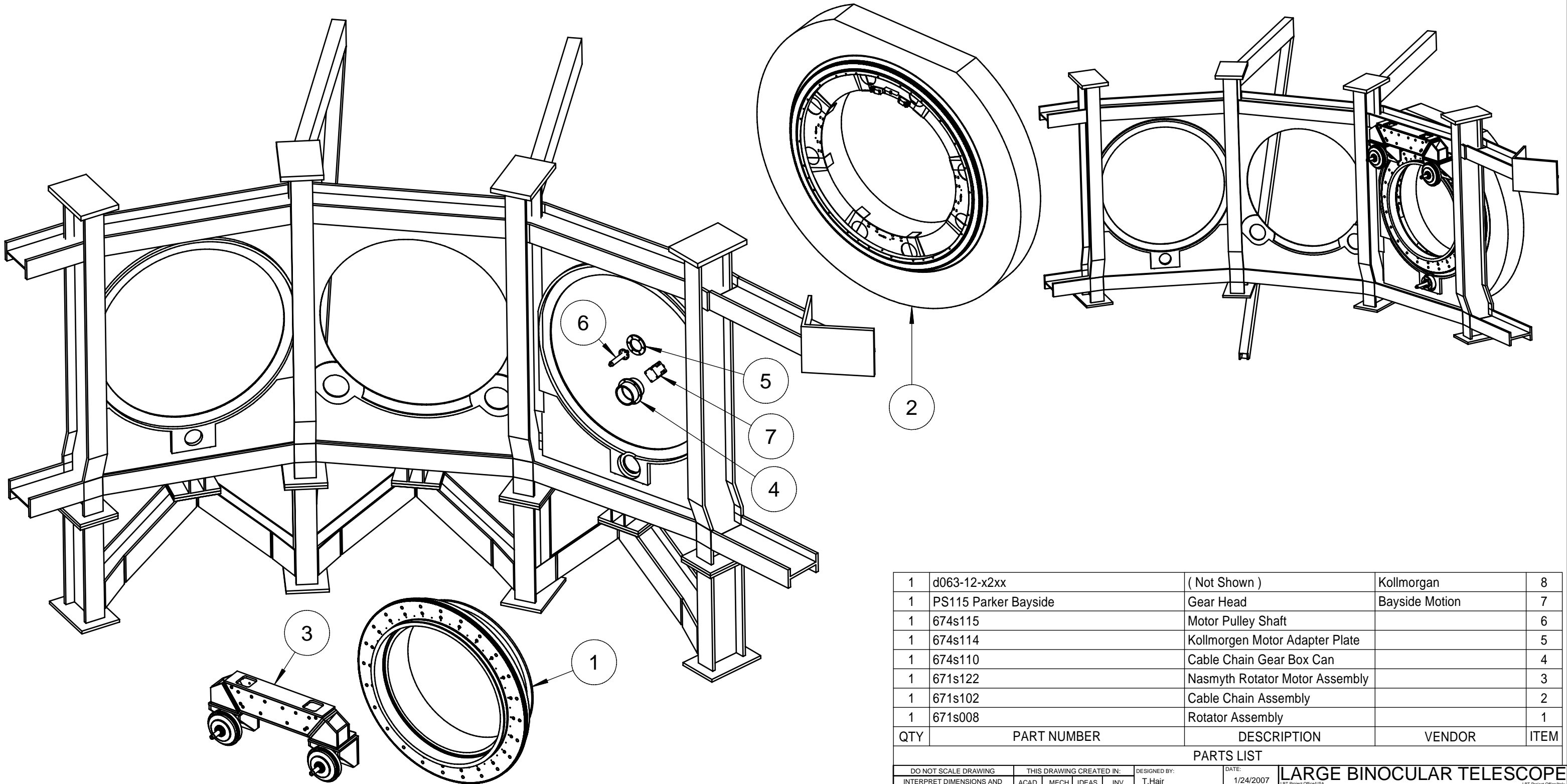


REVISION HISTORY				
REV	DESCRIPTION	AUTH	DATE	APPROVED
A	INITIAL RELEASE	-	3/16/07	R. MEEKS



1	d063-12-x2xx	(Not Shown)	Kollmorgan	8
1	PS115 Parker Bayside	Gear Head	Bayside Motion	7
1	674s115	Motor Pulley Shaft		6
1	674s114	Kollmorgen Motor Adapter Plate		5
1	674s110	Cable Chain Gear Box Can		4
1	671s122	Nasmyth Rotator Motor Assembly		3
1	671s102	Cable Chain Assembly		2
1	671s008	Rotator Assembly		1
QTY	PART NUMBER	DESCRIPTION	VENDOR	ITEM

PARTS LIST

DO NOT SCALE DRAWING		THIS DRAWING CREATED IN:				DESIGNED BY:	DATE:	LARGE BINOCULAR TELESCOPE	
INTERPRET DIMENSIONS AND TOLERANCES IN ACCORDANCE WITH ASME Y14.5M-94		<input type="checkbox"/> ACAD	<input type="checkbox"/> MECH	<input type="checkbox"/> IDEAS	<input checked="" type="checkbox"/> INV	T.Hair	1/24/2007	<small>LBT Project Office/USA Steward Observatory, University of Arizona Tucson, AZ 85721-0065 USA Ph. 1 520 626-6231 Fax. 1 520 626-9333</small>	
TOLERANCES UNLESS OTHERWISE SPECIFIED LINEAR ANGULAR X = ± ± X.X = ± X.XX = ± DIAMETRICAL: SEE SPEC S-002 <small>DIMENSIONS ARE IN MM / DIMENSIONS IN [] ARE IN INCHES</small>				DRAWN BY:		DATE:		6 Telescope Auxilliaries	
				jwiese		3/17/2007		67 Instrument Rotators	
				CHECKED BY:		DATE:		671 Nasmyth Rotator	
				CHECKED BY:		DATE:		671s Nasmyth Rotator Assembly Detail	
				ACCEPT BY:		DATE:			
				RELEASE BY:		DATE:			
				SCALE:		N.T.S.			
				UNITS:		mm			
				NEXT ASSY		USED ON			
				ASSEMBLY APPLICATION					
				FINISH:		NONE			
				PLOT SIZE		CAN NO:		REVISION:	
				Sheet 1 of 1		B		671s101	
								A	

