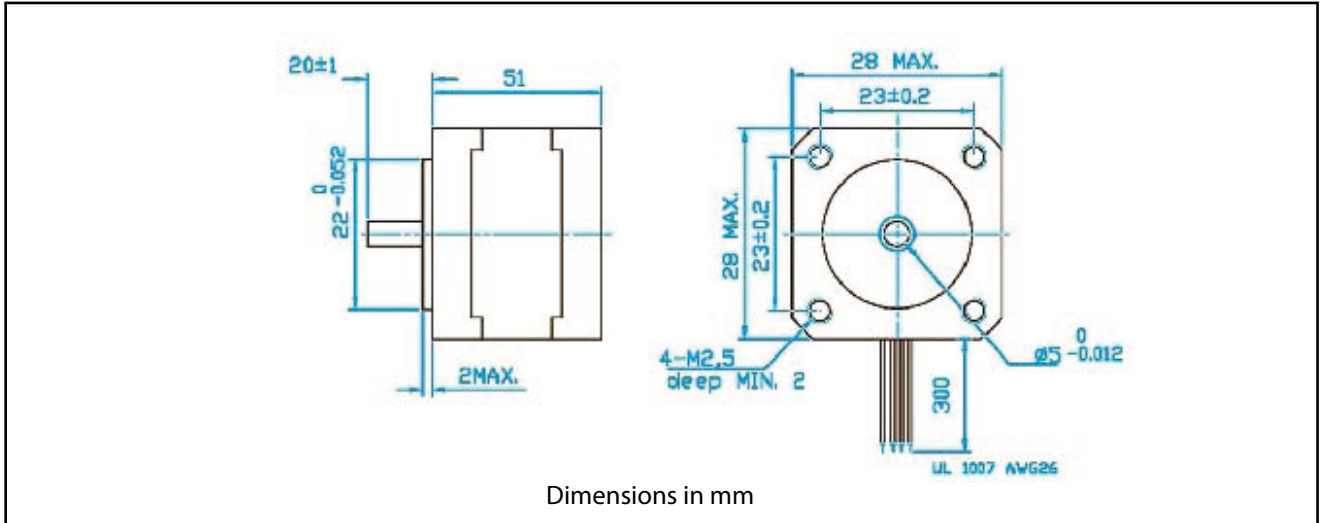




28mm 1.8' HIGH TORQUE STEPPER 200 Step

Data Sheet

RS stock number 535-0366



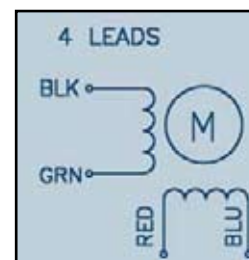
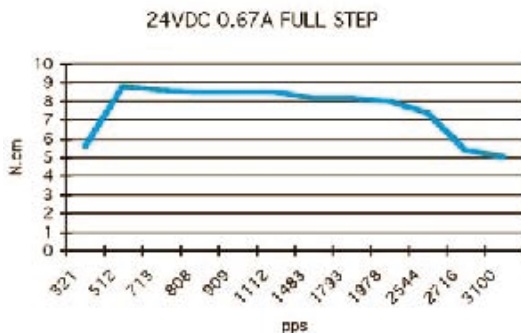
Specifications

Model	535-0366
Step Angle	1.8°
Step Angle Accuracy (Full Step, No Load) (%)	±5%
Rated Voltage (V)	6.2
Current/ Phase (A)	0.67
Resistance/Phase (Ω)	9.2
Inductance/Phase (mH)	5.7
Holding Torque (Ncm)	12
Rotor Inertia (g-cm ²)	18
Weight (Kg)	0.2
Number Of Leads (No.)	4

Characteristics

Resistance Accuracy ±10%
Inductance Accuracy ±20%
Temperature Rise 80°C Max. (Rated Current 2 phase On)
Ambient Temp -20 °C to +50 °C
Insulation Resistance 100mm Ωmin.,500Vdc
Dielectric Strength 500Vac for 1 min
Shaft Radial Play 0.02mm Max. (450G-Load)
Shaft Axial Play 0.08mm Max. (450G-load)
Max Radial Play 28N(20mm from flange)
Max Axial Force 10N

Speed V Torque Characteristics



RS Components shall not be liable for any liability or loss of any nature (howsoever caused and whether or not due to RS Components' negligence) which may result from the use of any information provided in RS technical literature.

RS Components, PO Box 99, Corby, Northants, NN17 9RS

Telephone: 01536 201234