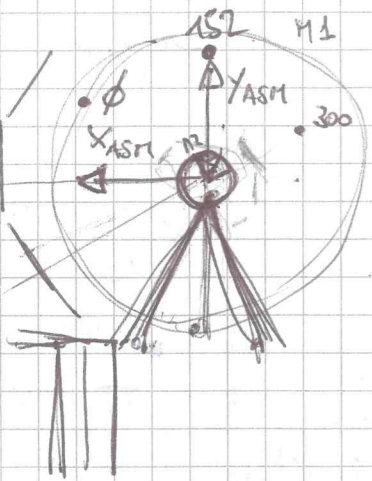
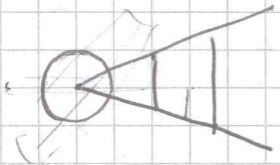


From behind M1



(873, 1820) -115.9



Act 152 = (245, -231.5)

Act 652 = (195, -8)

284 = 316 - 8

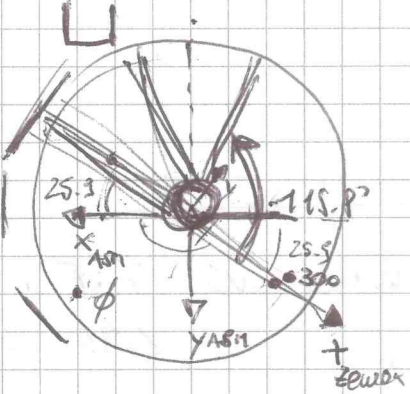
Act phi = (344, 217) mm

Act 300 = (-241, 85)

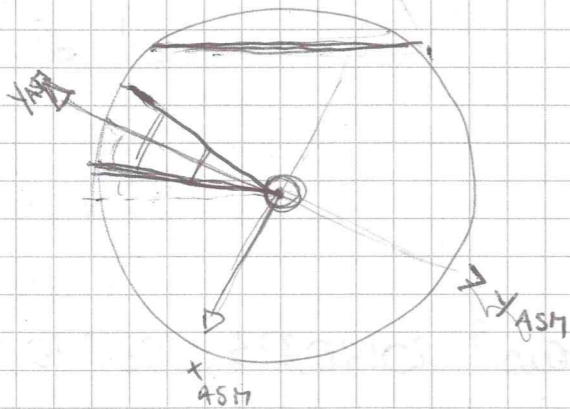
152 = (0, 346.173)

ASM rot (154.1°) → ZMX

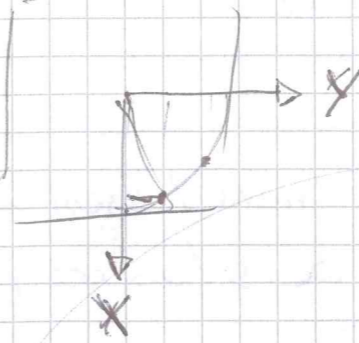
Top View



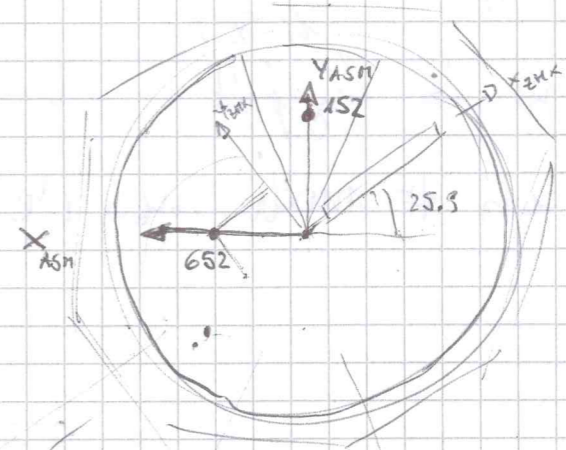
Om CCD



FQD



$$\begin{pmatrix} \cos & \sin \\ -\sin & \cos \end{pmatrix} \begin{pmatrix} x \\ y \end{pmatrix}$$



25.3



ASM

A152 (0, 346.173)

A652

WFMap

$$\begin{pmatrix} 0, \frac{346.173}{155} \\ 0.7608 \end{pmatrix} \text{rot}(25.8^\circ) = (0.33, 0.68)$$

$$(-0.392, 10.17)$$

$$(-0.647, -0.251)$$

